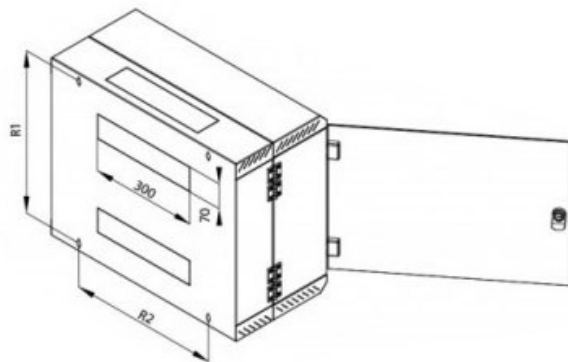
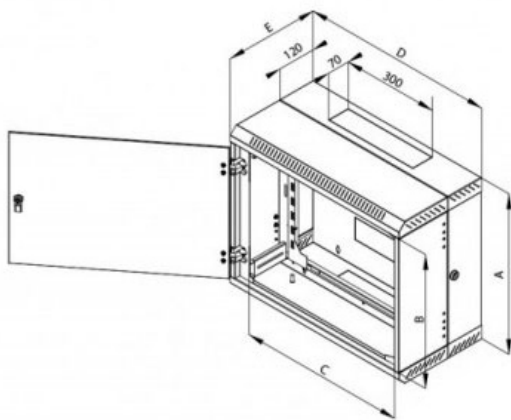


# Two-sectioned, 19" wall-mounted cabinets RBA



### features

- welded construction with IP30 protection
- rear section opening enables an easy access to the installed devices from the backside
- hardened smoked glass door (standard)
- solid steel or perforated door (air permeability 80%) available upon request
- front vertical rails are continuously adjustable
- rear vertical fixed rails
- frame of the cabinet and all removable parts are connected with earthing cables
- cable openings covered with breakout-type blanking panels located at the top, bottom and rear part of the cabinet
- protective blanking panel with a brush to seal the cabinet opening against dust penetration (1 pc)
- set of M6 screws and captive nuts (8 pcs)



Front door RBA-xx- <b>x</b> xx-xAY-A1	A - hardened smoked glass door (standard) C - solid steel door L - perforated door
Color RBA-xx-xxx- <b>x</b> AY-A1	C - gray RAL7035 (standard) B - black RAL9005
Surface	structured, matt

depth 515 mm, width 600 mm

		A (mm)	B (mm)	C (mm)	D (mm)	E (mm)	weight (kg)	capacity (kg)
4U	P/N: RBA-04-AD5-CAY-A1	280	175	516	600	515	15,1	30
6U	P/N: RBA-06-AD5-CAY-A1	370	265	516	600	515	16,9	30
9U	P/N: RBA-09-AD5-CAY-A1	500	395	516	600	515	20,1	30
12U	P/N: RBA-12-AD5-CAY-A1	635	530	516	600	515	23,5	30
15U	P/N: RBA-15-AD5-CAY-A1	770	665	516	600	515	27,0	30
18U	P/N: RBA-18-AD5-CAY-A1	900	795	516	600	515	30,1	30

## depth 615 mm, width 600 mm

		A (mm)	B (mm)	C (mm)	D (mm)	E (mm)	weight (kg)	capacity (kg)
4U	P/N: RBA-04-AD6-CAY-A1	280	175	516	600	615	17,0	30
6U	P/N: RBA-06-AD6-CAY-A1	370	265	516	600	615	18,9	30
9U	P/N: RBA-09-AD6-CAY-A1	500	395	516	600	615	22,4	30
12U	P/N: RBA-12-AD6-CAY-A1	635	530	516	600	615	25,9	30
15U	P/N: RBA-15-AD6-CAY-A1	770	665	516	600	615	29,3	30
18U	P/N: RBA-18-AD6-CAY-A1	900	795	516	600	615	33,2	30